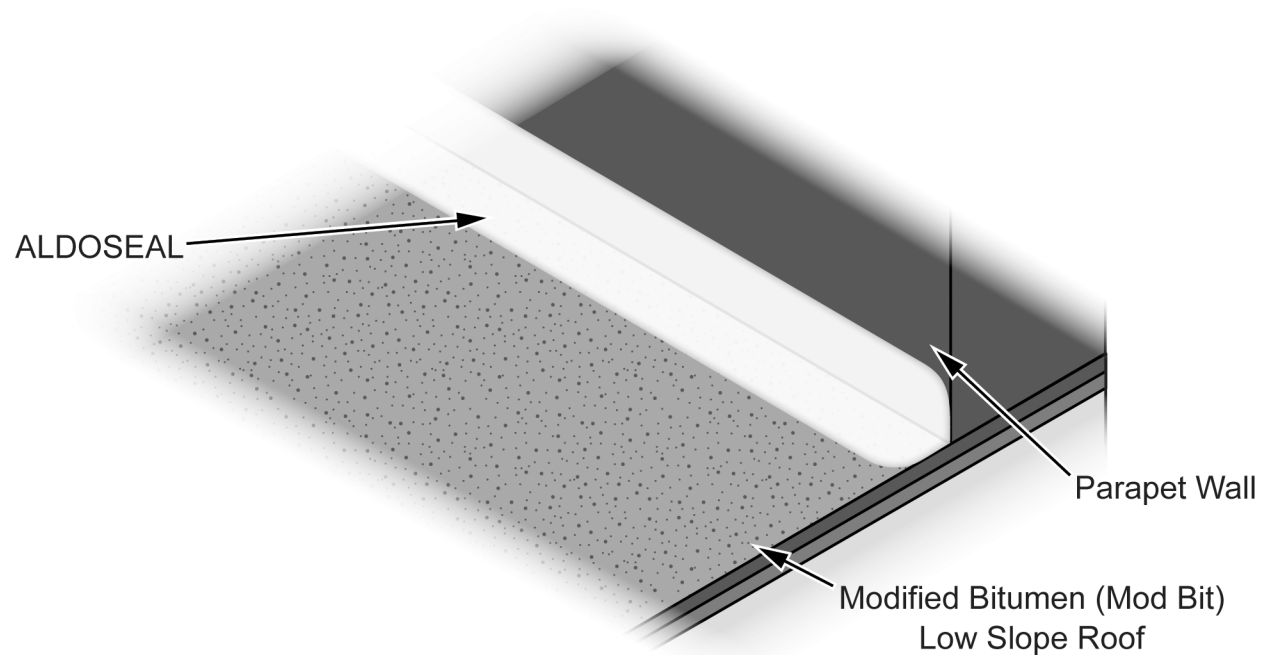


DETAIL: Modified Bitumen (Mod Bit) Low Slope Roof

GENERAL DETAILS – PARAPET WALL TERMINATION – ROOF COATING RESTORATION

This detail drawing is intended to show the generally recommended procedure for dealing with the condition shown. Actual field conditions may vary. When such conditions vary slightly from the drawing, the intent and industry best practices are to be used. Any question, contact Aldo Products Company, Inc., Technical Department.



1. During coating system application, ALDOCOAT product of choice is to be applied at rate of 16 wet mils.
2. Product application to extend 6" above termination of membrane on vertical surface.
3. Apply at the rate suggested as to insure product does not run or sag