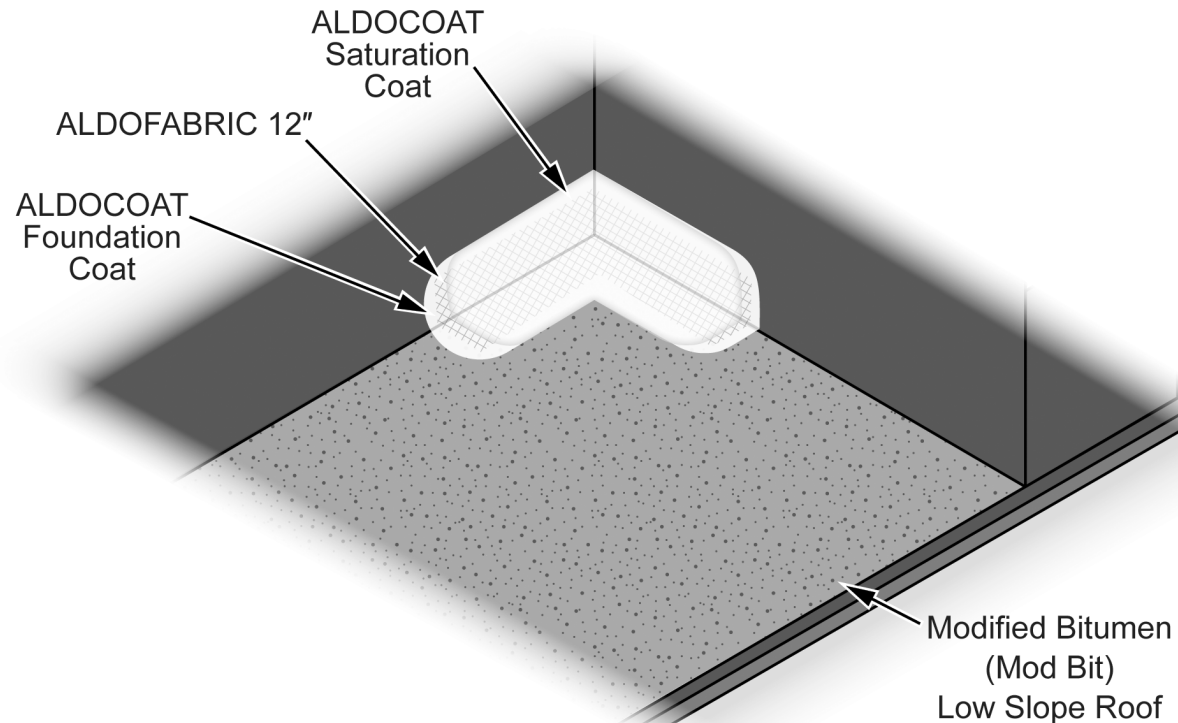


DETAIL: Modified Bitumen (Mod Bit) Low Slope Roof

GENERAL DETAILS – ROOFTOP CORNERS – ROOF COATING RESTORATION

This detail drawing is intended to show the generally recommended procedure for dealing with the condition shown. Actual field conditions may vary. When such conditions vary slightly from the drawing, the intent and industry best practices are to be used. Any question, contact Aldo Products Company, Inc., Technical Department.



1. Apply a foundation coat of the ALDOCOAT product of choice at a rate of 16 wet mils that is 1"-2" wider than ALDOFABRIC 12".
2. Immediately embed ALDOFABRIC 12" into wet coating, ensuring fabric is smooth and flush to surface without any wrinkles.
3. Apply a saturation coat of 16 wet mils of the ALDOCOAT product of choice over the ALDOFABRIC 12", ensuring the fabric is completely encapsulated with coating. Coating should extend 1"-2" past every edge of the fabric.