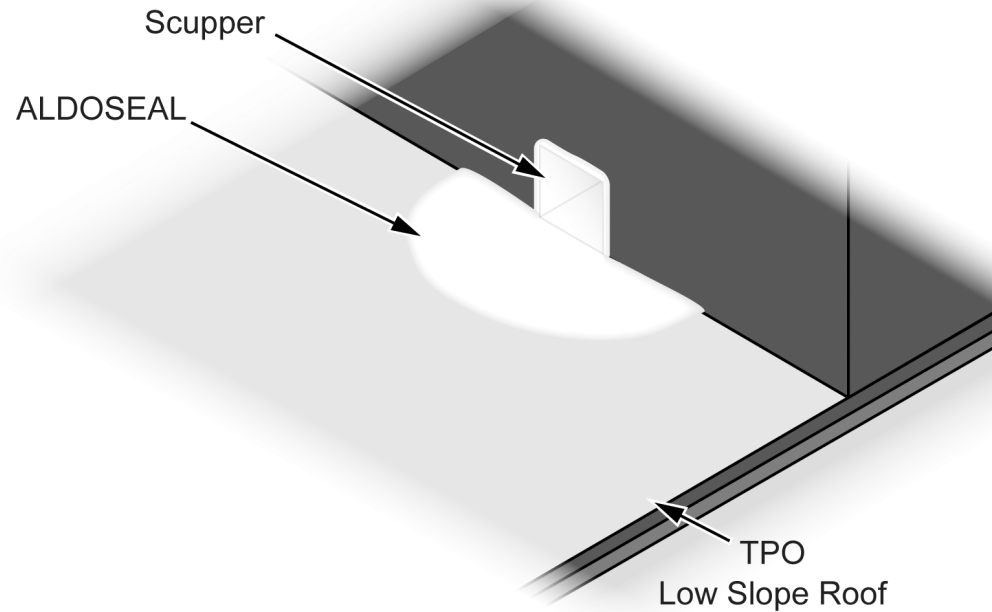


## DETAIL: TPO Low Slope Roof

### GENERAL DETAILS – SCUPPER – ROOF COATING RESTORATION

This detail drawing is intended to show the generally recommended procedure for dealing with the condition shown. Actual field conditions may vary. When such conditions vary slightly from the drawing, the intent and industry best practices are to be used. Any question, contact Aldo Products Company, Inc., Technical Department.



1. Apply ALDOSEAL product of choice to cover the interior area of the scupper and extend a minimum of 6" from the edge of scupper on the roof side.
2. Apply product at a minimum of 50 wet mils, making sure product is not running or sagging on any vertical surface.

Option: If required by specification, ALDOSEAL fabric is used in a three course application method with ALDOSEAL product of choice. Contact Aldo Products Company, Inc., for assistance.