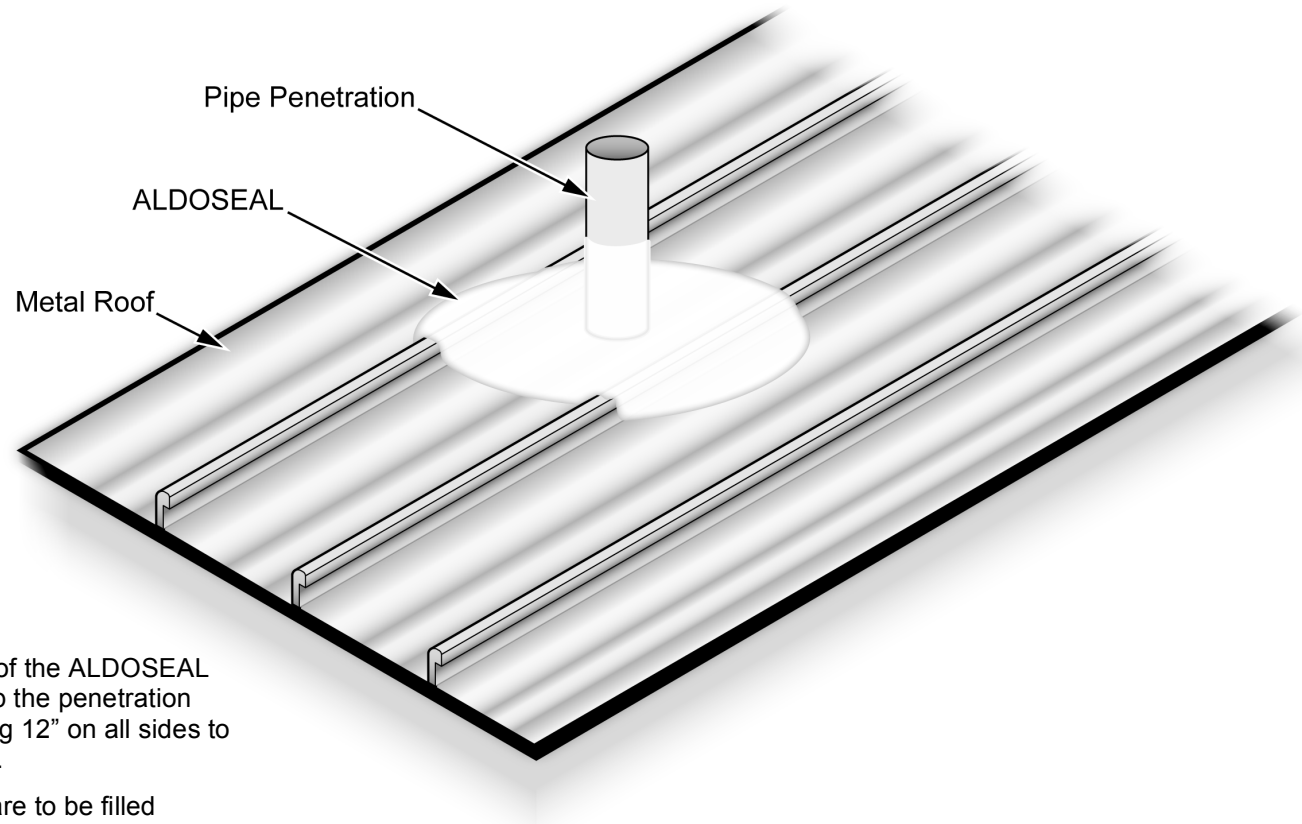


DETAIL: Metal Roof – Standing Seam

GENERAL DETAILS – PIPE PENETRATION – ROOF COATING RESTORATION

This detail drawing is intended to show the generally recommended procedure for dealing with the condition shown. Actual field conditions may vary. When such conditions vary slightly from the drawing, the intent and industry best practices are to be used. Any question, contact Aldo Products Company, Inc., Technical Department.



1. Apply the 50 wet mils of the ALDOSEAL product of choice 6" up the penetration vertically and extending 12" on all sides to the existing metal roof.
2. All voids or openings are to be filled completely.
3. The ALDOSEAL product is to be applied and feathered to create positive drainage of any water flow.